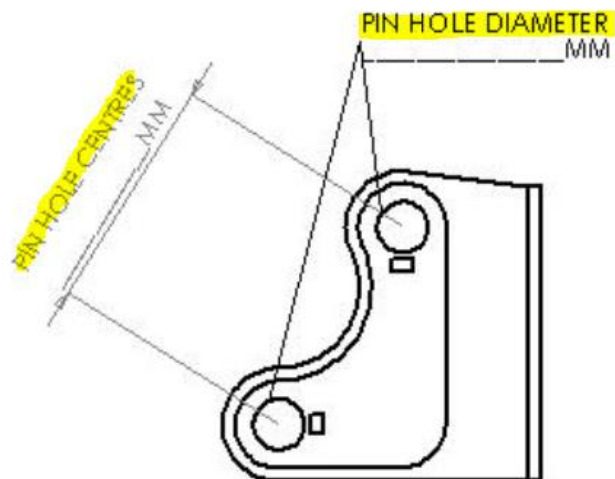
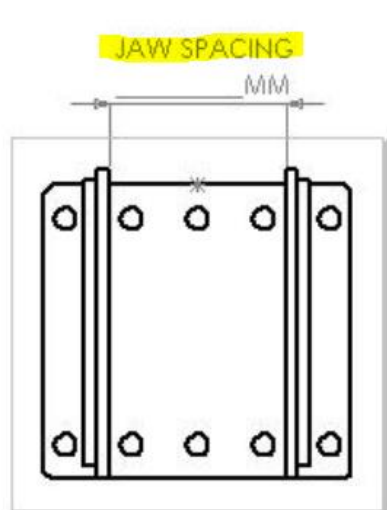


## DIGGER BRACKET DIMENSIONS

CUSTOMER NAME: \_\_\_\_\_

CONTACT NUMBER: \_\_\_\_\_

DIGGER MAKE & MODEL: \_\_\_\_\_



	<b>PROTECH MACHINERY LTD</b>	
	TEL: 07974956716	FAX: 01286552286
ALL DIMENSIONS IN MM UNLESS SPECIFIED	DATE:	DRG ISSUE:
	PART NUMBER:	